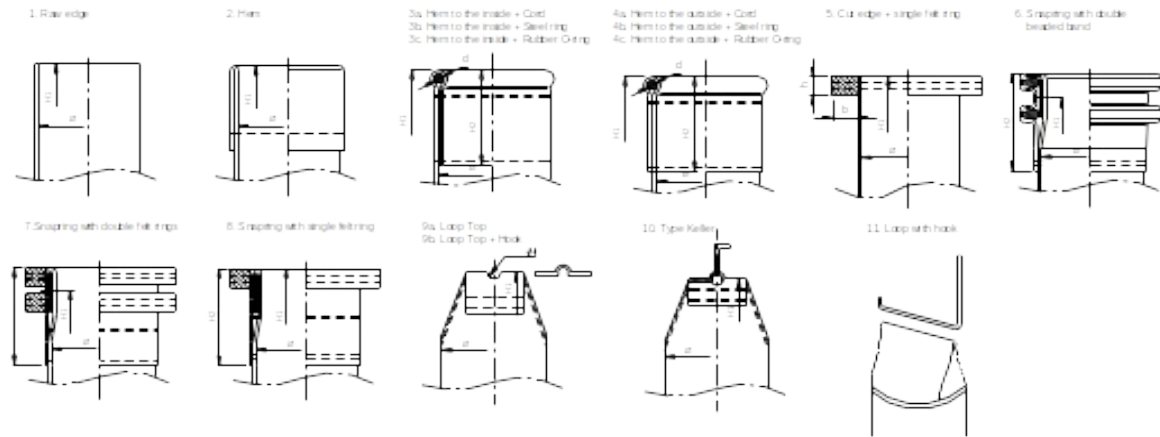


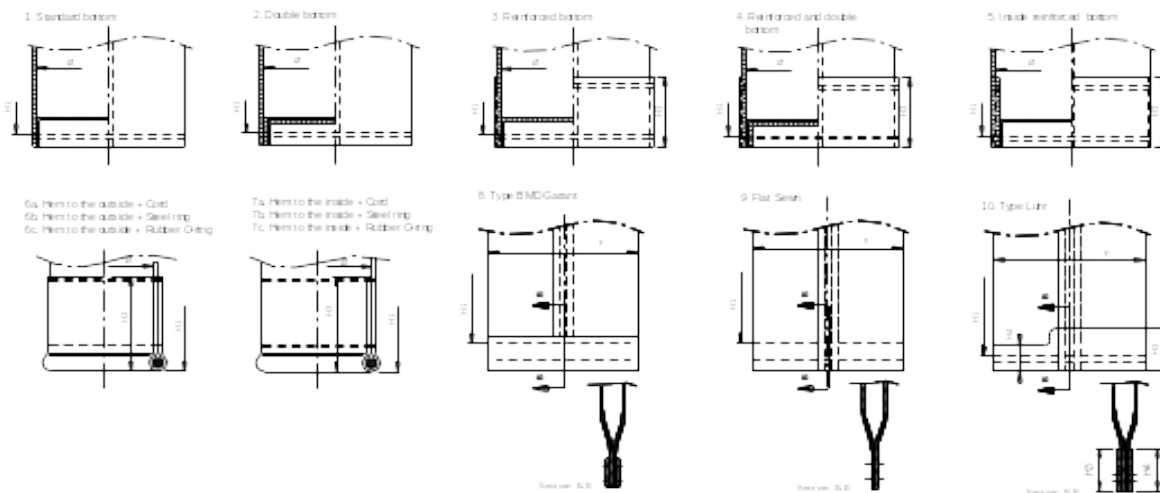
## Tubular Bag Selection

Customer:		Country:	
City:		Original Unit Brand:	
Contact person:		Unit Type:	
Phone:		Application:	
E-mail:		Number of bags:	

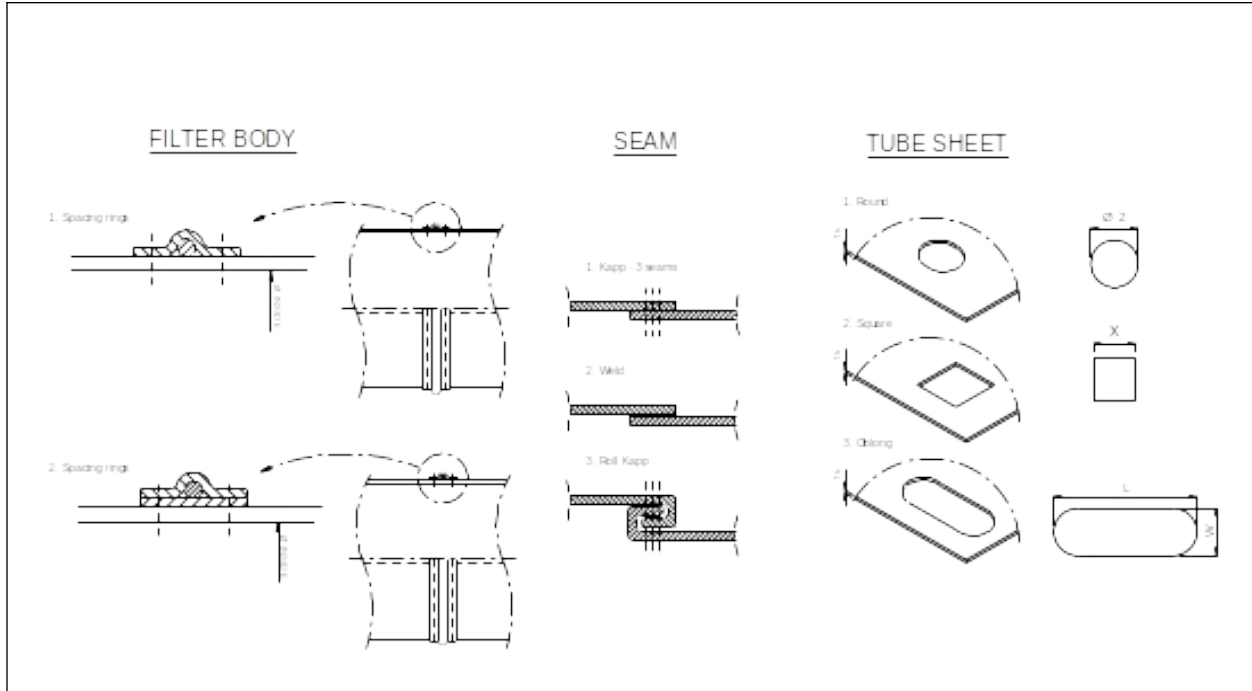
### TOP CONSTRUCTION



### BOTTOM CONSTRUCTION



# EUROPEAN FILTRATION



## Specifications

Top construction	
Bottom construction	
Filter body	
Seam style	
Tube sheet	
Media	

## General dimensions

H1		mm	Height filter bag
$\varnothing$		mm	Diameter bag
x		mm	Side of square filter bag
F		mm	Flat width bag

## Dimensions top construction

H2		mm	Height top reinforcement
d		mm	Cross section cord, rubber O-ring or steel ring
hxb		mm x mm	Height and width felt ring

## Dimensions bottom construction

H3		mm	Height bottom reinforcement
H4		mm	Height bottom reinforcement (Luhr)

## Tube sheet dimensions

$\varnothing 2$		mm	Tube sheet diameter
LxW		mm	Height and width of oblong tube sheet

## Quantity:

## Remarks: